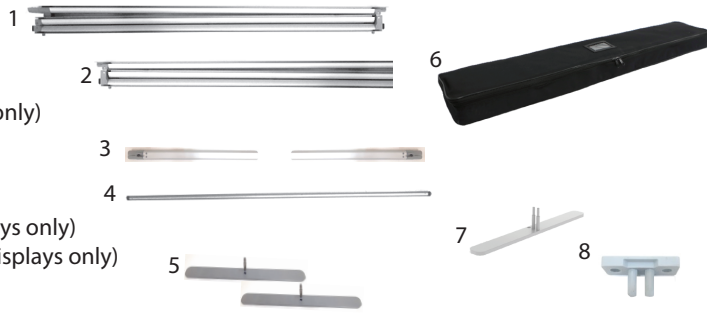


Journey SEG Display

Product Parts

1. Top Folding Section
2. Bottom Folding Section
3. Center Vertical Bar (x2 for 3' Display only)
4. Support Bar (x2 for 3' Display)
5. Feet (x2)
6. Case
7. Connector Foot (for 6', 8' & 10' Displays only)
8. 180° Top Connector (for 6', 8' & 10' Displays only)



Display Setup

Step 1

Unfold Bottom folding Section(2).

Note: Bottom Folding Section is labeled "Bottom".



Step 2

Insert Feet (5) into holes located on the bottom of the Bottom Folding Section (2).



Step 3 (For 3' only. For the 4' & 5' Display please skip to step 4)

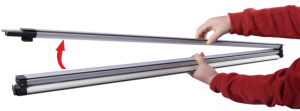
Separate Center Vertical Bars (3) and insert one Vertical Center Bar (3) into each side of the Bottom Folding Section (2) by joining the male and female connectors on the frame.



Step 4

Unfold Top Folding Section (1).

Note: Top Folding Section is labeled "Top".



Step 5

Attach Top Folding Section (1) to Center Vertical Bars (3) for 3' Display or Bottom Folding Section (2) for the 4' and 5' Displays by joining the Male and Female connectors on the frame.



Step 6

Snap Support Bar(s) (4) into slots on the frame.



3' Display



4' & 5' Display

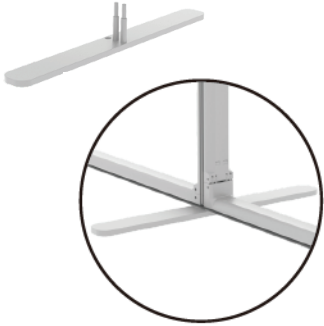


Additional Setup for 6', 8' & 10' Displays

NOTE: 6' frame is two 3' frames, 8' frame is two 4' frames and 10' frame is two 5' frames. Follow steps 1-6 for each frame before moving on to step 7.

Step 7

To connect frames together, remove the two center feet and replace with the Connector Foot (7).



6' Display



Step 8

Connect the frames at the top by inserting the 180° Top Connector (8) into the holes on the top of the frames.



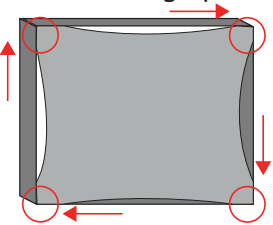
8' & 10' Display



Graphic Installation Process

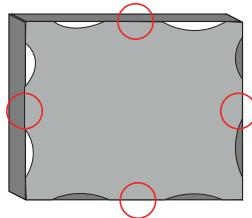
Step 1

Start with the corners. Working in a clockwise motion insert each corner of the graphic into the frame.



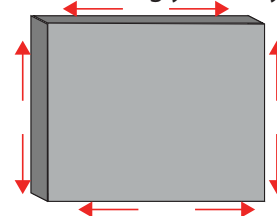
Step 2

Move to the centers. Insert the centers of the graphic on each side of the frame.



Step 3

Complete installation. Insert the remaining portions of the graphic into the frame starting from the center points and working your way to the corners.



Storage & Care

Place all Frame parts into Carry Case and store in a cool dry location. To clean non-graphic hardware, wipe with a damp cloth. Do NOT dry clean graphic, can Steam Clean wrinkles.